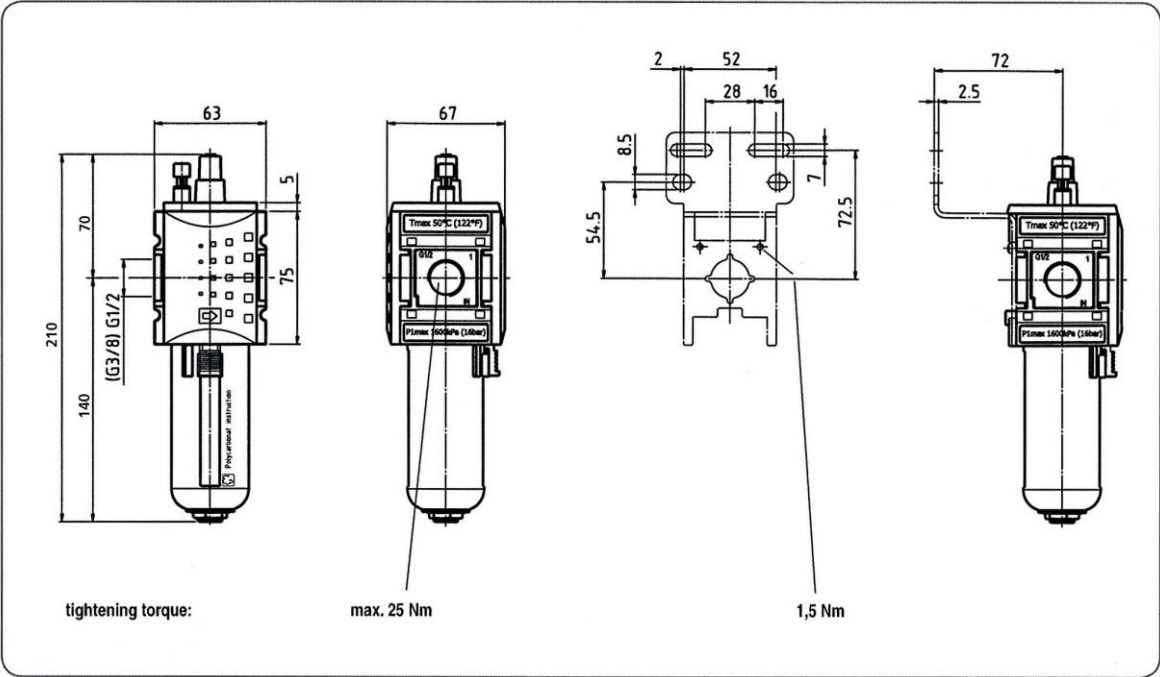
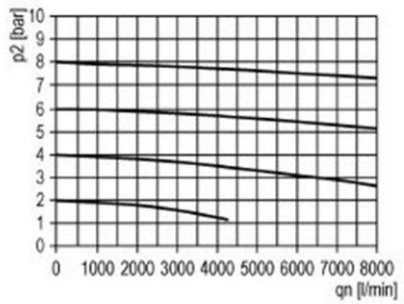


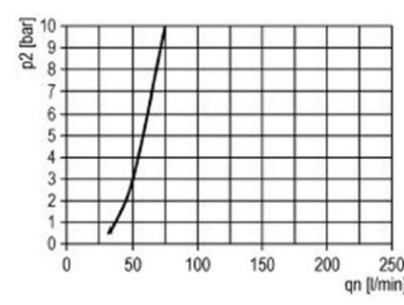
dimensions (mm)



pressure characteristic



lubricator operating limit



accessories 2

<p>mounting bracket with screws</p>	<p>metal bowl with level indicator</p>
<p>coupling kit</p>	<p>coupling kit wall mounting</p>